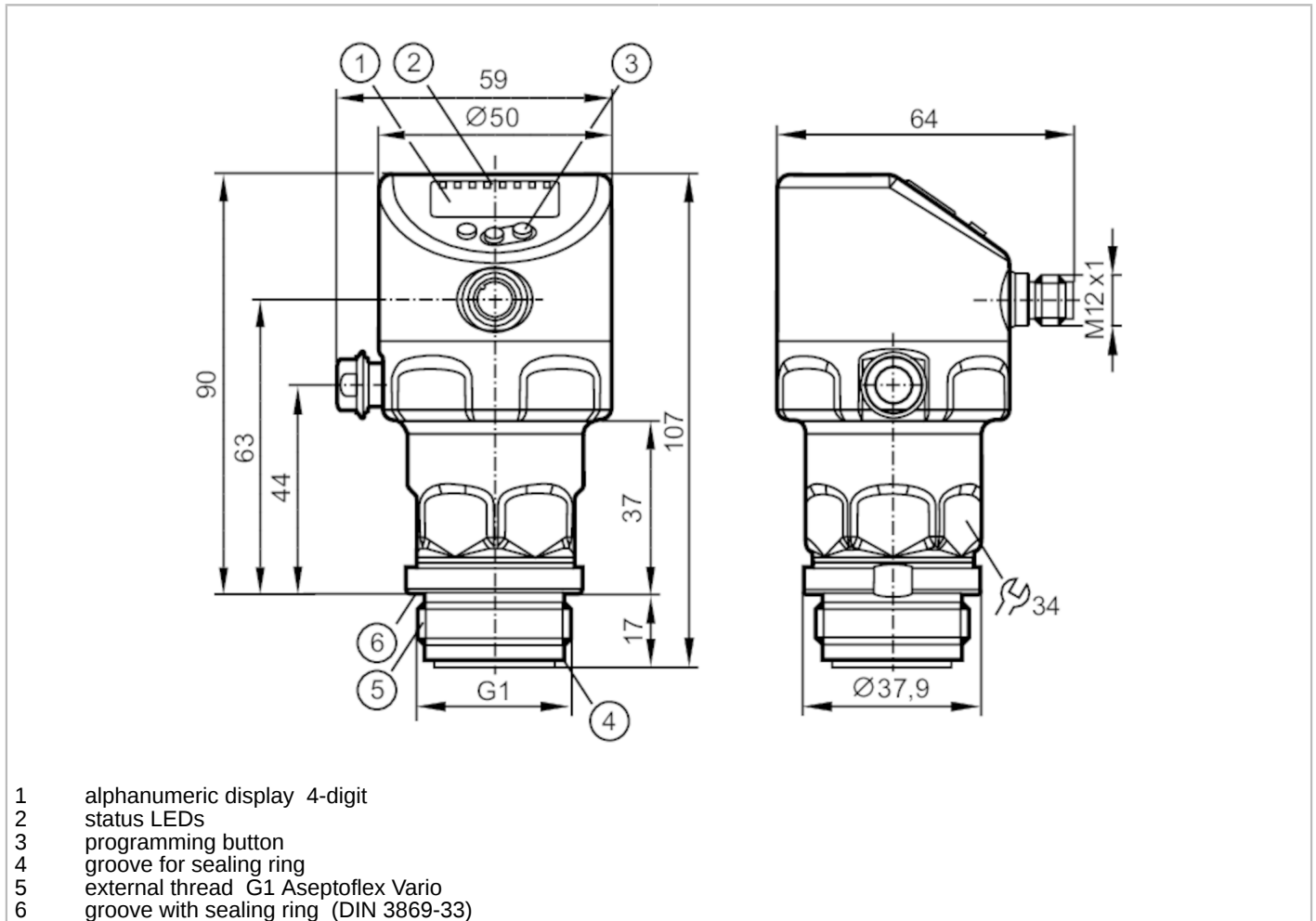


# PI1708



## Flush pressure sensor with display

PI-,25BREA01-MFRKG/US/ IP



Product characteristics			
Number of inputs and outputs	Number of digital outputs: 2; Number of analogue outputs: 1		
Measuring range	-12.4...250 mbar	-5...100.4 inH2O	-1.24...25 kPa
Process connection	threaded connection G 1 external thread Aseptoflex Vario		
Application			
Special feature	Gold-plated contacts		
Application	flush mountable for the food and beverage industry		
Media	viscous media and liquids with suspended particles; liquids and gases		
Medium temperature [°C]	-25...150		
Min. bursting pressure	30000 mbar	12044 inH2O	3000 kPa
Pressure rating	6000 mbar	2400 inH2O	600 kPa
Vacuum resistance	-1000 mbar	-0.1 MPa	
Type of pressure	relative pressure; vacuum		
No dead space	yes		
MAWP (for applications according to CRN) [bar]	6		
Electrical data			
Min. insulation resistance [MΩ]	100; (500 V DC)		

# PI1708



## Flush pressure sensor with display

PI-,25BREA01-MFRKG/US/ /P

Protection class	III
Reverse polarity protection	yes
Integrated watchdog	yes

2-wire	
Operating voltage [V]	20...30 DC
Current consumption [mA]	3.5...21.5
Power-on delay time [s]	< 1

3-wire	
Operating voltage [V]	18...30 DC
Current consumption [mA]	5...45; (430 bei max. Laststrom)
Power-on delay time [s]	< 0.5

### Inputs / outputs

Number of inputs and outputs	Number of digital outputs: 2; Number of analogue outputs: 1
------------------------------	---

### Outputs

Total number of outputs	2
Output signal	switching signal; analogue signal; IO-Link
Electrical design	PNP/NPN
Number of digital outputs	2
Output function	normally open / normally closed; (parameterisable)
Number of analogue outputs	1
Analogue current output [mA]	4...20, invertible; (scalable)
Short-circuit protection	yes
Type of short-circuit protection	pulsed
Overload protection	yes

2-wire	
Max. load [Ω]	300

3-wire	
Max. voltage drop switching output DC [V]	2
Permanent current rating of switching output DC [mA]	100
Switching frequency DC [Hz]	125
Max. load [Ω]	( $U_b - 10 \text{ V}$ ) / 21,5 mA; 650 Ω ( $U_b = 24 \text{ V}$ )

### Measuring/setting range

Measuring range	-12.4...250 mbar	-5...100.4 inH2O	-1.24...25 kPa	-126...2550 mmWS
Set point SP	-12...250 mbar	-4.8...100.4 inH2O	-1.2...25 kPa	-122...2549 mmWS
Reset point rP	-12.4...249.6 mbar	-5...100.2 inH2O	-1.24...24.96 kPa	-126...2545 mmWS
Analogue start point	-12.4...199.4 mbar	-5...80.1 inH2O	-1.24...19.94 kPa	-126...2033 mmWS
Analogue end point	38.2...250 mbar	15.3...100.4 inH2O	3.82...25 kPa	390...2549 mmWS
Min. difference between SP and rP	0.5 mbar	0.2 inH2O	0.05 kPa	5 mmWS
In steps of	0.1 mbar	0.1 inH2O	0.01 kPa	1 mmWS

# PI1708



## Flush pressure sensor with display

PI-,25BREA01-MFRKG/US/ /P

Factory setting	SP1 = 62.5 mbar	rP1 = 57.5 mbar
	SP2 = 187.5 mbar	rP2 = 182.5 mbar
	ASP = 0.00 mbar	AEP = 250 mbar
	dAP = 2.00 s	dAA = 2.00 s

Temperature monitoring		
Measuring range	-25...150 °C	-13...302 °F

### Accuracy / deviations

Switch point accuracy [% of the span]	< ± 0,2; (DIN EN IEC 62828-1; Turn down 1:1)	
Repeatability [% of the span]	< ± 0,1; (with temperature fluctuations < 10 K; Turn down 1:1)	
Characteristics deviation [% of the span]	< ± 0,2; (DIN IEC EN 62828-1 incl. zero point and span error, non-linearity, hysteresis; Turn down 1:1)	
Linearity deviation [% of the span]	< ± 0,15; (Turn down 1:1)	
Hysteresis deviation [% of the span]	< ± 0,15; (Turn down 1:1)	
Long-term stability [% of the span]	< ± 0,1; (Turn down 1:1; per year)	
Total deviation over temperature range	<b>Temperature range</b>	<b>total deviation</b>
	-25...15 °C	Characteristics deviation ± 0,1 % of the span / 10 K
	15...80 °C	Characteristics deviation
	80...150 °C	Characteristics deviation ± 0,15 % of the span / 10 K
Notes on the accuracy / deviation	for further details see section Diagrams and graphs	

Temperature monitoring		
Accuracy [K]	± 2,5+ (0,08 x ( Umgebungstemperatur - Mediumtemperatur ))	
Repeatability [K]	± 0,2	
Resolution [K]	0.2	

### Response times

Damping process value dAP [s]	0...99.99
Damping for the analogue output dAA [s]	0...99.99

2-wire		
Step response time analogue output [ms]	30	

3-wire		
Min. response time of switching output (dAP) [ms]	3	
Step response time analogue output [ms]	7	

Temperature monitoring		
Dynamic response T05 / T09 [s]	< 35 / < 135; (DIN EN 60751 water ; > 0,9 m/s)	

### Interfaces

Communication interface	IO-Link	
Transmission type	COM2 (38,4 kBaud)	

# PI1708



## Flush pressure sensor with display

PI-,25BREA01-MFRKG/US/ /P

IO-Link revision	1.1	
SDCI standard	IEC 61131-9	
Profiles	<b>Function class</b>	<b>Designation</b>
	0x4000	Identification and Diagnosis
	0x800A	Measurement Data Channel (standard resolution)
SIO mode	yes	
Required master port type	A	
Min. process cycle time [ms]	5.6	
IO-Link resolution pressure [mbar]	0.01	
IO-Link resolution temperature [K]	0.2	
IO-Link process data (cyclical)	<b>function</b>	<b>bit length</b>
	pressure	32
	temperature	32
	device status	4
	binary switching information	2
IO-Link functions (acyclical)	application specific tag; internal temperature; operating hours counter; switching cycles counter; Pressure peak counter	
Supported DeviceIDs	<b>Type of operation</b>	<b>DeviceID</b>
	default	1152

Operating conditions		
Ambient temperature [°C]	-25...80	
Storage temperature [°C]	-40...100	
Protection	IP 67; IP 68; IP 69K	

Tests / approvals		
EMC	DIN EN 61326-1	
Shock resistance	DIN EN 60068-2-27	50 g (11 ms)
Vibration resistance	DIN EN 60068-2-6	20 g (10...2000 Hz)
MTTF [years]	214	
Note on approval	factory certificate available as download at <a href="http://www.factory-certificate.ifm">www.factory-certificate.ifm</a>	
UL approval	UL Approval no.	J048
	File number UL	E174189

Mechanical data		
Weight [g]	375.6	
Housing	cylindrical	
Dimensions [mm]	Ø 50 / L = 107	
Materials	stainless steel (316L/1.4404); FKM; PTFE; PBT; PEI; PFA	
Materials (wetted parts)	ceramics (99.9 % Al <sub>2</sub> O <sub>3</sub> ); stainless steel (316L/1.4435); surface characteristics: Ra < 0,4 / Rz 4; PTFE	
Min. pressure cycles	100 million	
Tightening torque [Nm]	35	
Process connection	threaded connection G 1 external thread Aseptoflex Vario	

# PI1708



## Flush pressure sensor with display

PI-,25BREA01-MFRKG/US/ /P

Displays / operating elements		
Display	Display unit	LED, green
	switching status	LED, yellow
	function display	alphanumeric display, 4-digit
	measured values	alphanumeric display, 4-digit
Display unit	mbar; kPa; inH2O; mmWS	

Remarks	
Pack quantity	1 pcs.

### Electrical connection

Connector: 1 x M12; coding: A; Contacts: gold-plated

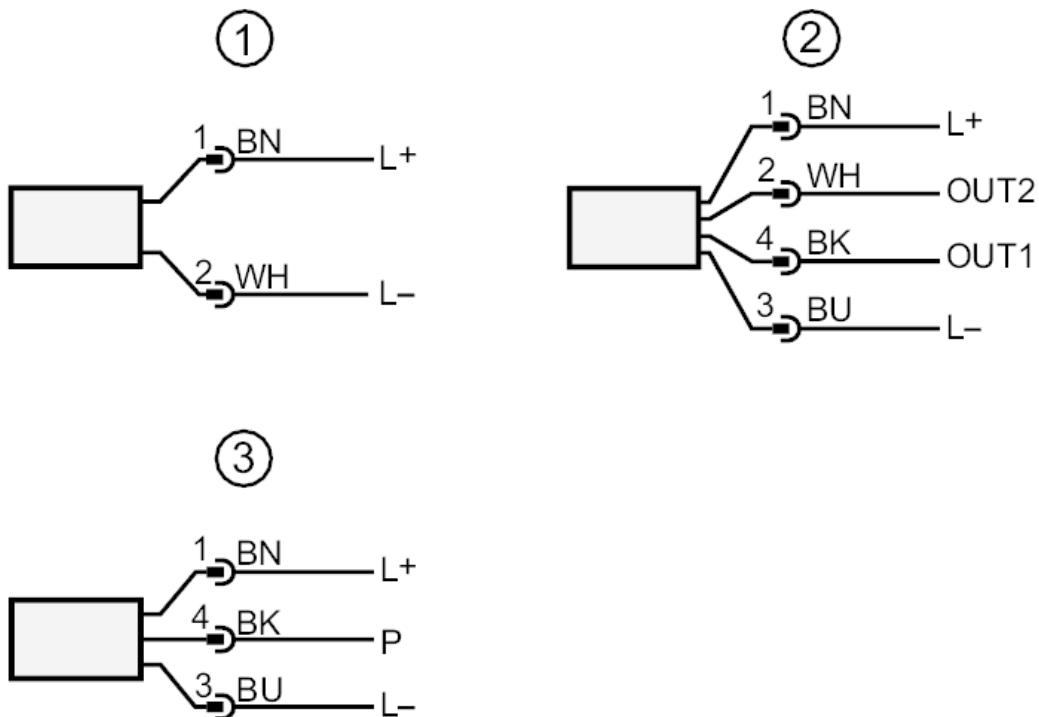




## Flush pressure sensor with display

PI-,25BREA01-MFRKG/US/ /P

### Connection



- 1 connection for 2-wire operation
- 2 connection for 3-wire operation
- OUT1 switching output / IO-Link
- OUT2 switching output / analogue output
- 3 connection for IO-Link parameter setting (P = communication via IO-Link)

colours to DIN EN 60947-5-2

Core colours

- BK = black
- BN = brown
- BU = blue
- WH = white

# PI1708

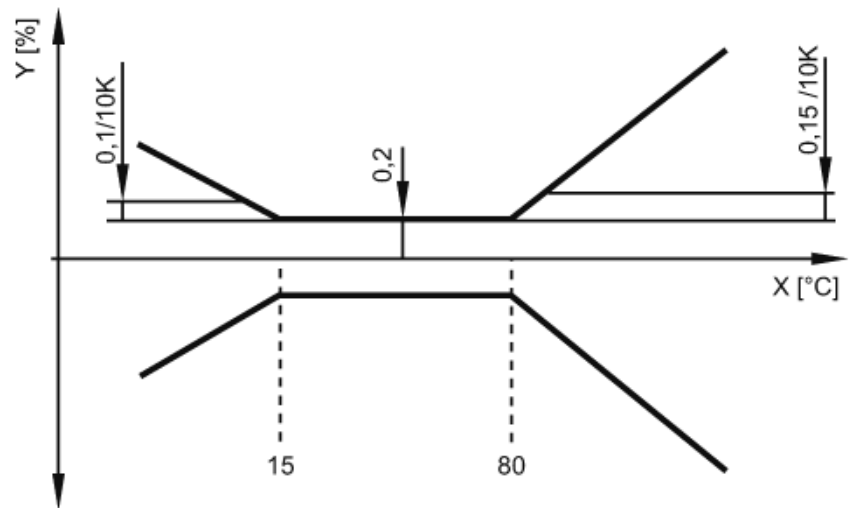


## Flush pressure sensor with display

PI-,25BREA01-MFRKG/US/ IP

### Diagrams and graphs

ambient temperature influence on the accuracy



X temperature  
Y total deviation