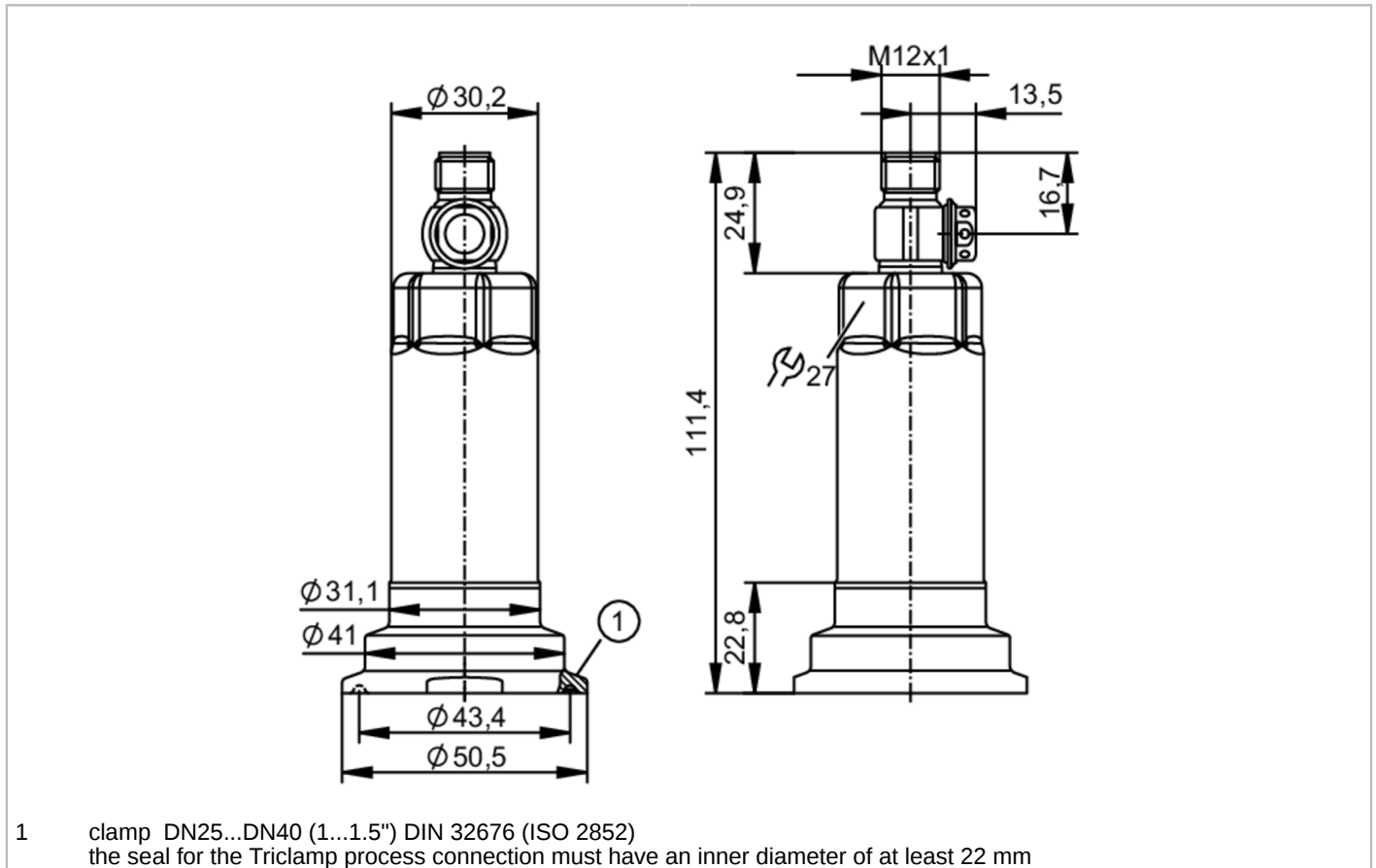


PM1114



Flush pressure sensor

PM-016-REZ01-E-ZVG/US



Product characteristics			
Number of inputs and outputs	Number of digital outputs: 1; Number of analogue outputs: 1		
Measuring range	-1...16 bar	-14.6...232 psi	-0.1...1.6 MPa
Process connection	Clamp DN25...DN40 (1...1,5") DIN 32676 (ISO 2852)		
Application			
Special feature	Gold-plated contacts		
Measuring element	ceramic-capacitive pressure measuring cell		
Temperature monitoring	no		
Application	flush mountable for the food and beverage industry		
Media	viscous media and liquids with suspended particles; liquids and gases		
Medium temperature [°C]	-25...150		
Min. bursting pressure	150 bar	2175 psi	15 MPa
Pressure rating	75 bar	1085 psi	7.5 MPa
Note on pressure rating	take into account the pressure resistance of the bracket and the seal used for clamp connection		
Vacuum resistance [mbar]	-1000		
Type of pressure	relative pressure; vacuum		
No dead space	yes		
MAWP (for applications according to CRN) [bar]	60		

PM1114



Flush pressure sensor

PM-016-REZ01-E-ZVG/US

Electrical data				
Operating voltage	[V]	18...30 DC		
Min. insulation resistance	[MΩ]	100; (500 V DC)		
Protection class		III		
Reverse polarity protection		yes		
Integrated watchdog		yes		
2-wire				
Current consumption	[mA]	3.5...21.5		
Power-on delay time	[s]	1		
3-wire				
Current consumption	[mA]	< 45		
Power-on delay time	[s]	0.5		
Inputs / outputs				
Number of inputs and outputs		Number of digital outputs: 1; Number of analogue outputs: 1		
Outputs				
Total number of outputs		2		
Output signal		analogue signal; IO-Link; (configurable)		
Number of digital outputs		1; (IO-Link)		
Number of analogue outputs		1		
Analogue current output	[mA]	4...20; (scalable)		
Max. load	[Ω]	700; (U _b = 24 V; (U _b - 9 V) / 21.5 mA)		
Short-circuit proof		yes		
Overload protection		yes		
Measuring/setting range				
Measuring range		-1...16 bar	-14.6...232 psi	-0.1...1.6 MPa
Analogue start point		-1...12.8 bar	-14.6...185.6 psi	-0.1...1.28 MPa
Analogue end point		2.2...16 bar	32...232 psi	0.22...1.6 MPa
In steps of		0.01 bar	0.2 psi	0.001 MPa
Factory setting			ASP = 0.0 bar	AEP = 16.0 bar
Accuracy / deviations				
Repeatability	[% of the span]	< ± 0,1; (with temperature fluctuations < 10 K; Turn down 1:1)		
Characteristics deviation	[% of the span]	< ± 0,2; (linearity incl. hysteresis and repeatability, limit value setting to DIN EN IEC 62828-1)		
Linearity deviation	[% of the span]	< ± 0,15; (Turn down 1:1)		
Hysteresis deviation	[% of the span]	< ± 0,15; (Turn down 1:1)		
Long-term stability	[% of the span]	< ± 0,1; (Turn down 1:1; per year)		
Temperature coefficient zero point	[% of the span / 10 K]	0...70 °C		
Temperature coefficient span	[% of the span / 10 K]	0...70 °C		

PM1114



Flush pressure sensor

PM-016-REZ01-E-ZVG/US

Total deviation over temperature range	Temperature range	total deviation
	-25...15 °C	Characteristics deviation $\pm 0,05$ % of the span / 10 K
	15...80 °C	Characteristics deviation
	80...150 °C	Characteristics deviation $\pm 0,1$ % of the span / 10 K
Notes on the accuracy / deviation	for further details see section Diagrams and graphs	

Response times	
Damping for the analogue output dAA [s]	0...4
2-wire	
Step response time analogue output [ms]	30
3-wire	
Step response time analogue output [ms]	7

Interfaces		
Communication interface	IO-Link	
Transmission type	COM2 (38,4 kBaud)	
IO-Link revision	1.1	
SDCI standard	IEC 61131-9	
Profiles	Digital Measuring Sensor (0x000A), Identification and Diagnosis (0x4000)	
SIO mode	no	
Required master port type	A	
Process data analogue	3	
Min. process cycle time [ms]	3.2	
IO-Link resolution pressure [bar]	0.005	
IO-Link process data (cyclical)	function	bit length
	pressure	16
	device status	4
IO-Link functions (acyclical)	application specific tag; internal temperature	
Supported DeviceIDs	Type of operation	DeviceID
	default	661

Operating conditions	
Ambient temperature [°C]	-25...80
Storage temperature [°C]	-40...100
Protection	IP 67; IP 68; IP 69K

Tests / approvals		
EMC	DIN EN 61000-6-2	
	DIN EN 61000-6-3	
Shock resistance	DIN EN 60068-2-27	50 g (11 ms)
Vibration resistance	DIN EN 60068-2-6	20 g (10...2000 Hz)
MTTF [years]		323
Note on approval	factory certificate available as download at www.factory-certificate.ifm	
UL approval	UL Approval no.	J055
	File number UL	E174189

PM1114



Flush pressure sensor

PM-016-REZ01-E-ZVG/US

Mechanical data	
Weight [g]	392
Housing	cylindrical
Dimensions [mm]	Ø 30.2 / L = 111.4
Materials	stainless steel (316L/1.4404); PBT
Materials (wetted parts)	ceramics (99.9 % Al ₂ O ₃); stainless steel (316L/1.4435); surface characteristics: Ra < 0,4 / Rz 4; PTFE
Min. pressure cycles	100 million
Process connection	Clamp DN25...DN40 (1...1,5") DIN 32676 (ISO 2852)

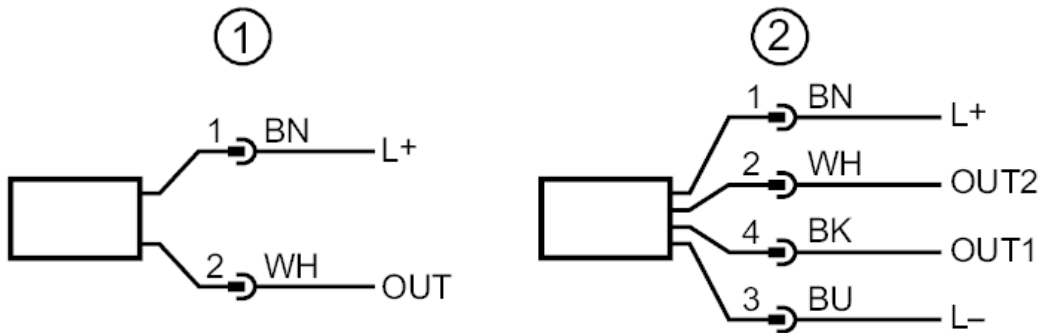
Remarks	
Pack quantity	1 pcs.

Electrical connection

Connector: 1 x M12; coding: A; Contacts: gold-plated



Connection



- 1 connection for 2-wire operation (analogue)
 - 2 connection for 3-wire operation (analogue / IO-Link)
- OUT1 : IO-Link
OUT2 : analogue output

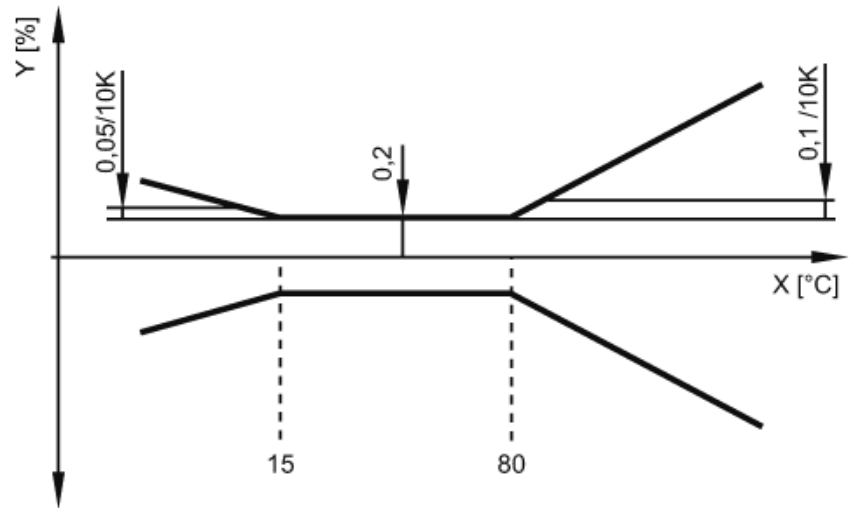


Flush pressure sensor

PM-016-REZ01-E-ZVG/US

Diagrams and graphs

ambient temperature influence on the accuracy



X temperature
Y total deviation