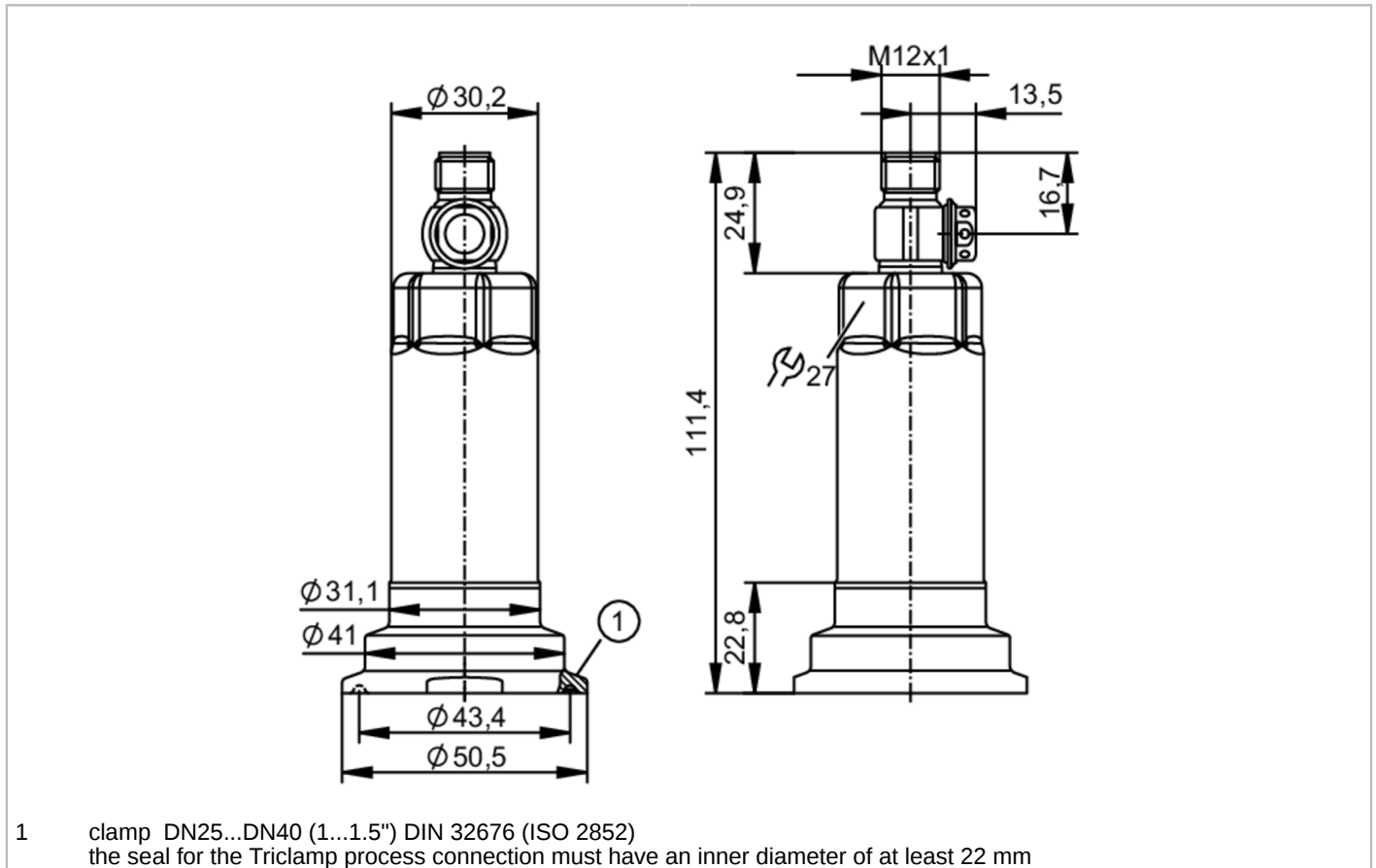


PM1103



Flush pressure sensor

PM-025-REZ01-E-ZVG/US



Product characteristics			
Number of inputs and outputs	Number of digital outputs: 1; Number of analogue outputs: 1		
Measuring range	-1...25 bar	-14.6...362.6 psi	-0.1...2.5 MPa
Process connection	Clamp DN25...DN40 (1...1,5") DIN 32676 (ISO 2852)		
Application			
Special feature	Gold-plated contacts		
Measuring element	ceramic-capacitive pressure measuring cell		
Temperature monitoring	no		
Application	flush mountable for the food and beverage industry		
Media	viscous media and liquids with suspended particles; liquids and gases		
Medium temperature [°C]	-25...150		
Min. bursting pressure	150 bar	2175 psi	15 MPa
Pressure rating	100 bar	1450 psi	10 MPa
Note on pressure rating	take into account the pressure resistance of the bracket and the seal used for clamp connection		
Vacuum resistance [mbar]	-1000		
Type of pressure	relative pressure; vacuum		
No dead space	yes		
MAWP (for applications according to CRN) [bar]	60		

PM1103



Flush pressure sensor

PM-025-REZ01-E-ZVG/US

Electrical data			
Operating voltage	[V]	18...30 DC	
Min. insulation resistance	[MΩ]	100; (500 V DC)	
Protection class		III	
Reverse polarity protection		yes	
Integrated watchdog		yes	
2-wire			
Current consumption	[mA]	3.5...21.5	
Power-on delay time	[s]	1	
3-wire			
Current consumption	[mA]	< 45	
Power-on delay time	[s]	0.5	
Inputs / outputs			
Number of inputs and outputs		Number of digital outputs: 1; Number of analogue outputs: 1	
Outputs			
Total number of outputs		2	
Output signal		analogue signal; IO-Link; (configurable)	
Number of digital outputs		1; (IO-Link)	
Number of analogue outputs		1	
Analogue current output	[mA]	4...20; (scalable)	
Max. load	[Ω]	700; (U _b = 24 V; (U _b - 9 V) / 21.5 mA)	
Short-circuit proof		yes	
Overload protection		yes	
Measuring/setting range			
Measuring range		-1...25 bar	-14.6...362.6 psi
Analogue start point		-1...20 bar	-14.6...290 psi
Analogue end point		4...25 bar	58...362.6 psi
In steps of		0.01 bar	0.2 psi
Factory setting		ASP = 0.0 bar	AEP = 25.0 bar
			0.4...2.5 MPa
			0.001 MPa
Accuracy / deviations			
Repeatability	[% of the span]	< ± 0,1; (with temperature fluctuations < 10 K; Turn down 1:1)	
Characteristics deviation	[% of the span]	< ± 0,2; (linearity incl. hysteresis and repeatability, limit value setting to DIN EN IEC 62828-1)	
Linearity deviation	[% of the span]	< ± 0,15; (Turn down 1:1)	
Hysteresis deviation	[% of the span]	< ± 0,15; (Turn down 1:1)	
Long-term stability	[% of the span]	< ± 0,1; (Turn down 1:1; per year)	
Total deviation over temperature range		Temperature range	total deviation
		-25...15 °C	Characteristics deviation ± 0,05 % of the span / 10 K
		15...80 °C	Characteristics deviation
		80...150 °C	Characteristics deviation ± 0,1 % of the span / 10 K

PM1103



Flush pressure sensor

PM-025-REZ01-E-ZVG/US

Notes on the accuracy / deviation

for further details see section Diagrams and graphs

Response times

Damping for the analogue output dAA [s]	0...4
---	-------

2-wire

Step response time analogue output [ms]	30
---	----

3-wire

Step response time analogue output [ms]	7
---	---

Interfaces

Communication interface	IO-Link
-------------------------	---------

Transmission type	COM2 (38,4 kBaud)
-------------------	-------------------

IO-Link revision	1.1
------------------	-----

SDCI standard	IEC 61131-9
---------------	-------------

Profiles	Digital Measuring Sensor (0x000A), Identification and Diagnosis (0x4000)
----------	--

SIO mode	no
----------	----

Required master port type	A
---------------------------	---

Process data analogue	3
-----------------------	---

Min. process cycle time [ms]	3.2
------------------------------	-----

IO-Link resolution pressure [bar]	0.005
-----------------------------------	-------

IO-Link process data (cyclical)	function	bit length
	pressure	16
	device status	4

IO-Link functions (acyclical)	application specific tag; internal temperature
-------------------------------	--

Supported DeviceIDs	Type of operation	DeviceID
	default	660

Operating conditions

Ambient temperature [°C]	-25...80
--------------------------	----------

Storage temperature [°C]	-40...100
--------------------------	-----------

Protection	IP 67; IP 68; IP 69K
------------	----------------------

Tests / approvals

EMC	DIN EN 61000-6-2	
-----	------------------	--

DIN EN 61000-6-3	
------------------	--

Shock resistance	DIN EN 60068-2-27	50 g (11 ms)
------------------	-------------------	--------------

Vibration resistance	DIN EN 60068-2-6	20 g (10...2000 Hz)
----------------------	------------------	---------------------

MTTF [years]	323
--------------	-----

Note on approval	factory certificate available as download at www.factory-certificate.ifm
------------------	---

UL approval	UL Approval no.	J054
-------------	-----------------	------

File number UL	E174189
----------------	---------

Mechanical data

Weight [g]	369.57
------------	--------

Housing	cylindrical
---------	-------------

Dimensions [mm]	Ø 30.2 / L = 111.4
-----------------	--------------------

Materials	stainless steel (316L/1.4404); PBT
-----------	------------------------------------

PM1103



Flush pressure sensor

PM-025-REZ01-E-ZVG/US

Materials (wetted parts)	ceramics (99.9 % Al ₂ O ₃); stainless steel (316L/1.4435); surface characteristics: Ra < 0,4 / Rz 4; PTFE
Min. pressure cycles	100 million
Process connection	Clamp DN25...DN40 (1...1,5") DIN 32676 (ISO 2852)

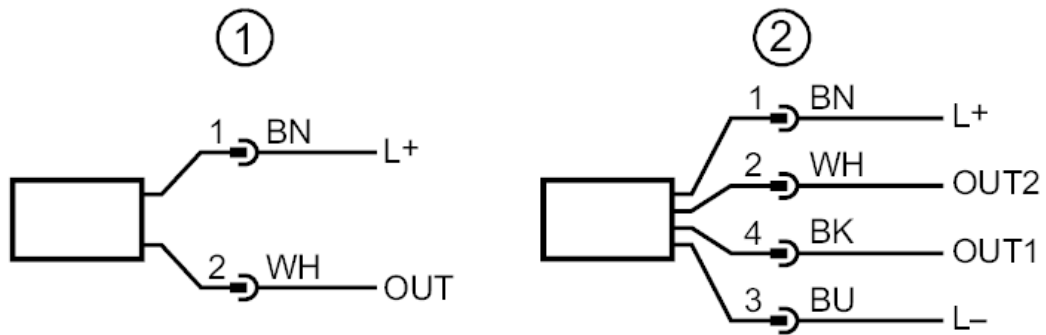
Remarks	
Pack quantity	1 pcs.

Electrical connection

Connector: 1 x M12; coding: A; Contacts: gold-plated



Connection



- 1 connection for 2-wire operation (analogue)
- 2 connection for 3-wire operation (analogue / IO-Link)
OUT1 : IO-Link
OUT2 : analogue output

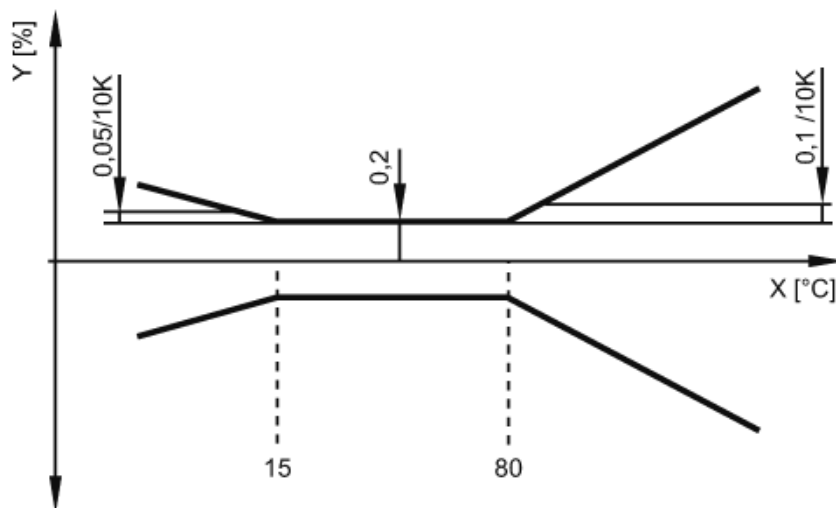


Flush pressure sensor

PM-025-REZ01-E-ZVG/US

Diagrams and graphs

ambient temperature influence on the accuracy



X temperature
Y total deviation